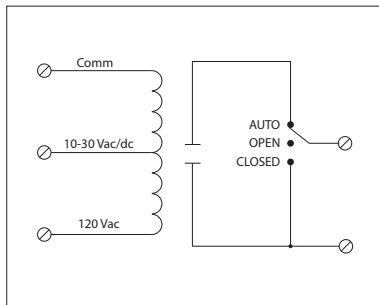


## 15 AMP TRACK MOUNT CONTROL RELAYS

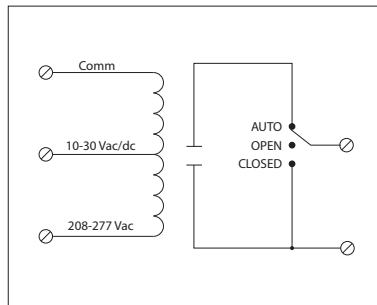
### RIBMU1S

4.00" Track Mount Relay 15 Amp SPST-N/O +  
Override with 10-30 Vac/dc/120 Vac Coil

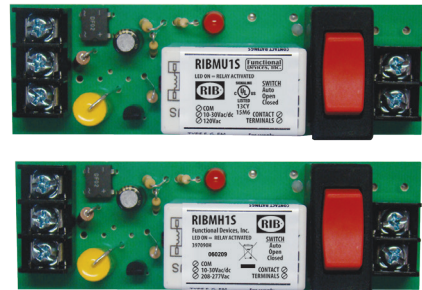


### RIBMH1S

4.00" Track Mount Relay 15 Amp SPST-N/O +  
Override with 10-30 Vac/dc/208-277 Vac Coil



Meets  
"Buy American"  
of ARRA 2009



RELAYS

## SPECIFICATIONS

**# Relays & Contact Type:** One (1) SPST Continuous Duty Coil  
**Expected Relay Life:** 10 million cycles minimum mechanical  
**Operating Temperature:** -30 to 140° F  
**Humidity Range:** 5 to 95% (noncondensing)  
**Operate Time:** 20ms  
**Relay Status:** LED On = Activated  
**Dimensions:** 1.275" x 4.000" x 1.750"  
**Track Mount:** 4.000"; See MT4 Series on page 152  
**MT4 Mounting Track Sold Separately**  
**Approvals:** UL Listed, UL916, UL864, C-UL  
 California State Fire Marshal  
**Gold Flash:** Yes  
**Override Switch:** Yes

**Contact Ratings:**  
 15 Amp Resistive @ 150 Vac  
 10 Amp Resistive @ 277 Vac  
 480 VA Pilot Duty @ 277 Vac  
 480 VA Ballast @ 277 Vac  
*Not rated for Electronic Ballast*  
 600 Watt Tungsten @ 120 Vac (N/O)  
 240 Watt Tungsten @ 120 Vac (N/C)  
 1/3 HP @ 120-240 Vac (N/O)  
 1/6 HP @ 120-240 Vac (N/C)  
 1/4 HP @ 277 Vac (N/O)  
 1/8 HP @ 277 Vac (N/C)

**Coil Voltage Input:**  
 10-30 Vac/dc ; 120 Vac ; 50-60 Hz (RIBMU1S)  
 10-30 Vac/dc ; 208-277 Vac ; 50-60 Hz (RIBMH1S)  
 Drop Out = 2.1 Vac / 2.8 Vdc  
 Pull In = 9 Vac / 10 Vdc

**Coil Current:**

33 mA @ 10 Vac	13 mA @ 10 Vdc
35 mA @ 12 Vac	15 mA @ 12 Vdc
46 mA @ 24 Vac	18 mA @ 24 Vdc
55 mA @ 30 Vac	20 mA @ 30 Vdc
28 mA @ 120 Vac (RIBMU1S)	
39 mA @ 208-277 Vac (RIBMH1S)	

**Notes:**  
 • Order Normally Closed by adding "-NC" to end of model number